



T802

IN-LINE SLIDING DOOR SYSTEM

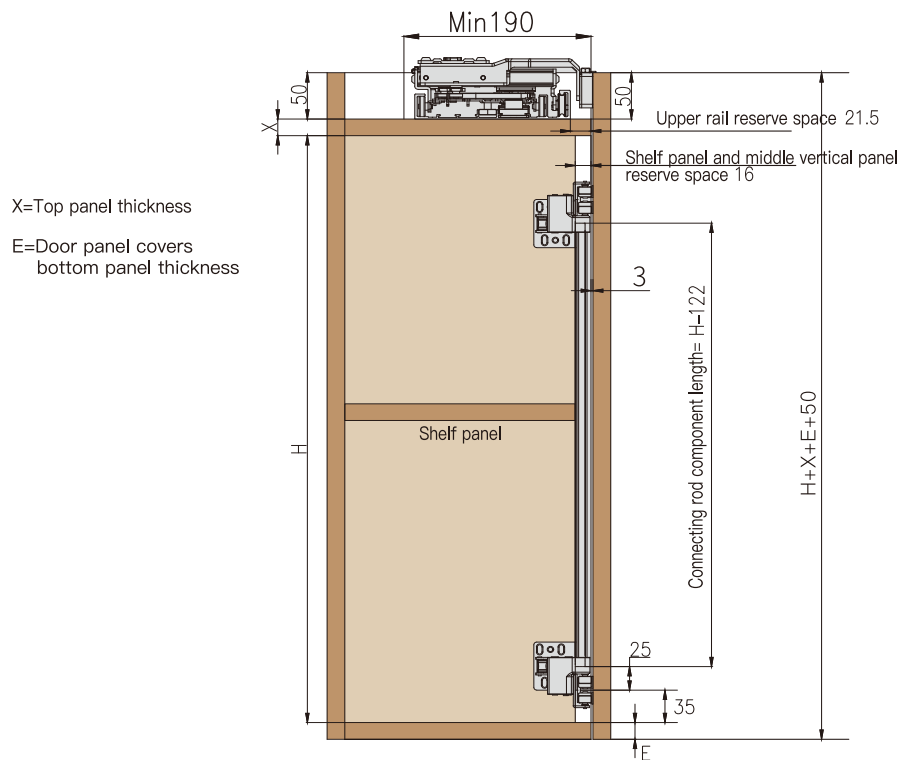
Cuttable & Double Soft Closing
In-line Sliding Door System



Accessories	Qty	3D sketch
Upper rail	1	
Connecting rod component	2	
Door panel side guide rail	4	
Right door middle regulator	1	
Right door side regulator	1	
Left door middle regulator	1	
Left door side regulator	1	

Product code and specification

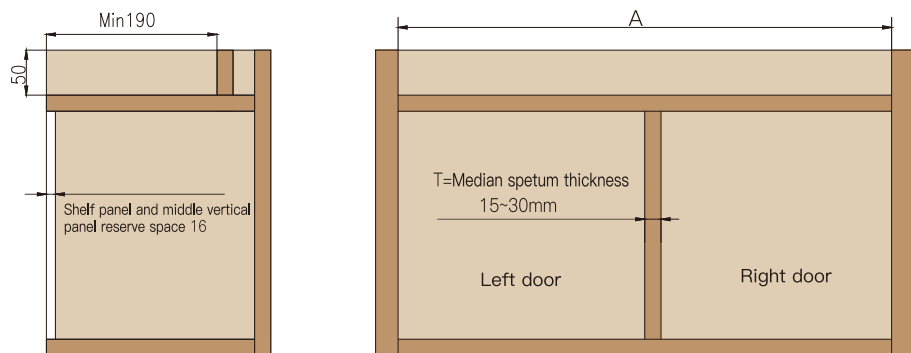
Item code	Cabinet inner width	Cuttable rail range	Door width (door panel covers side panel 25mm)	Door height
T802A-1750	1750mm	1150mm~1750mm	600mm~900mm	≤1000mm
T802A-2350	2350mm	1750mm~2350mm	900mm~1200mm	≤1500mm



X=Top panel thickness

E=Door panel covers bottom panel thickness

1. Cabinet requirements



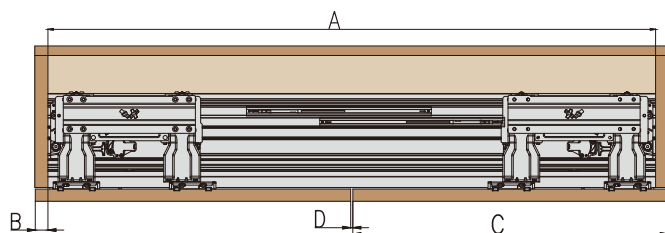
Door size

A=Cabinet inner width

D=Door gap(3~5mm)

B=door panel covers side panel width(-3~25mm)

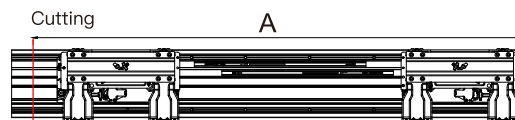
C=Door width=(A+2B-D)/2



2. Rail cutting

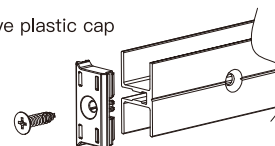


Loose the alley key to move to right side

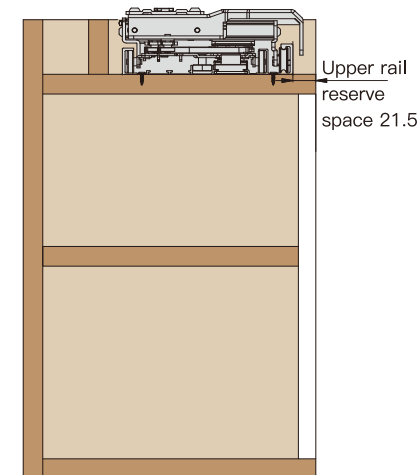


3. Accessories installation

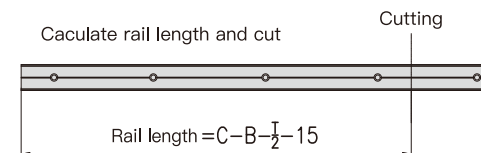
Remove plastic cap



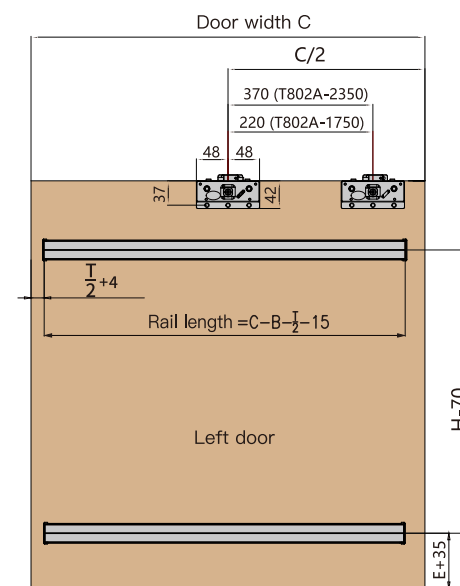
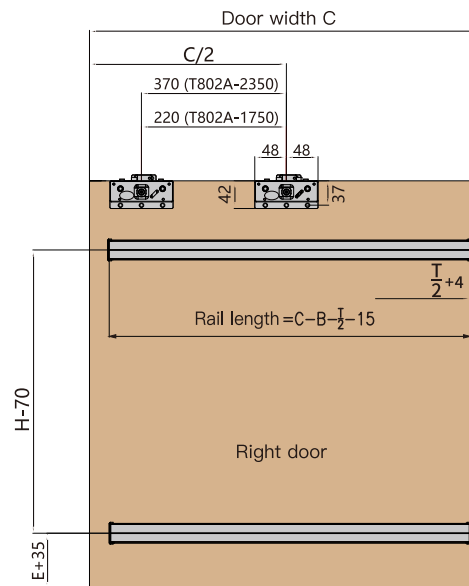
2.2 Upper rail installation



Calculate rail length and cut



3.3 Hanging plate and side guide rail rail installation

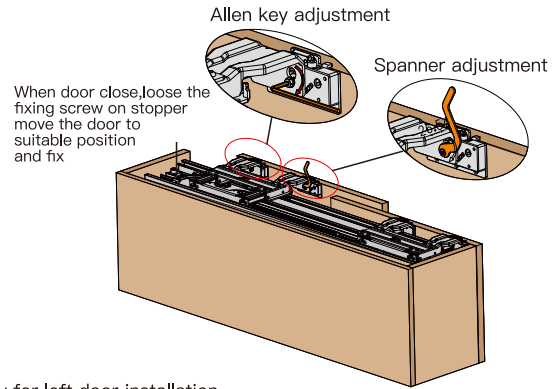
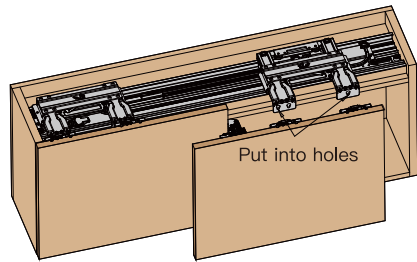


Hanging cabinet installation

4. Door Installation

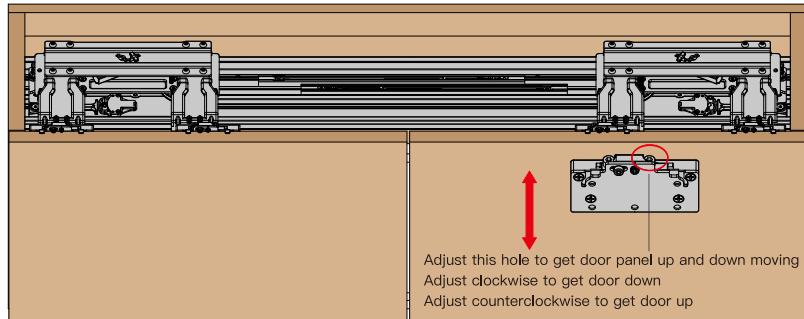
Open right runner accessories, hanging door into round holes

Use allen key or spanner to fix the screw but not fully tighten, should be movable

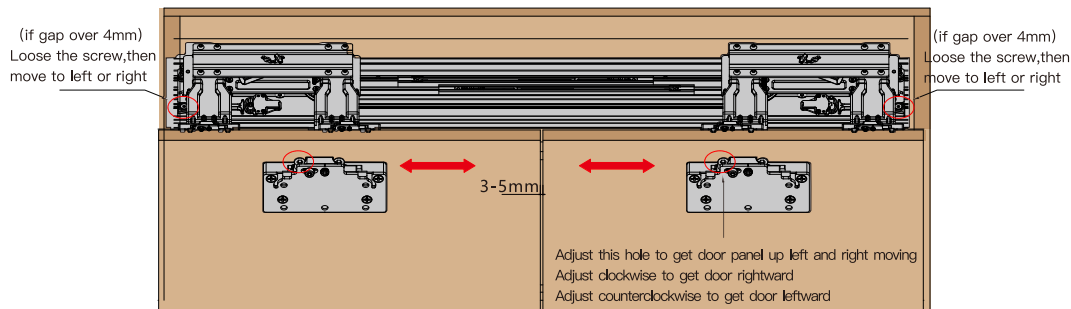


Same way for left door installation

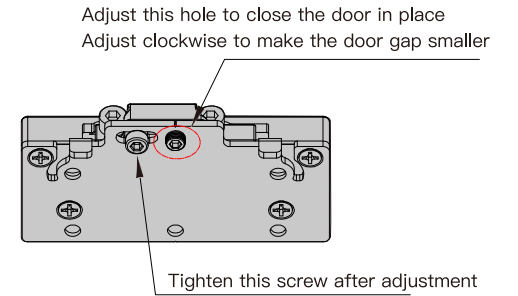
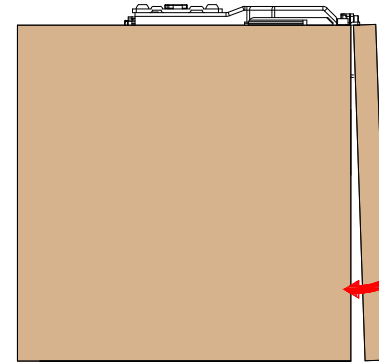
6. Door height adjustment



6. Adjust the gap between two doors



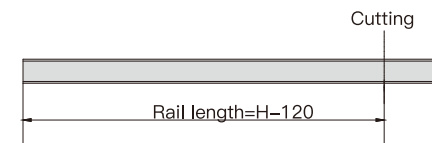
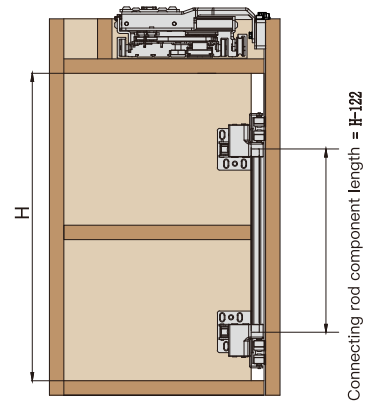
7. Adjust door closing angle



fix the adjustment screw in step 4 after adjustment

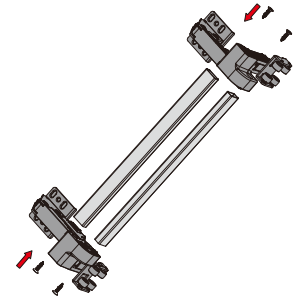
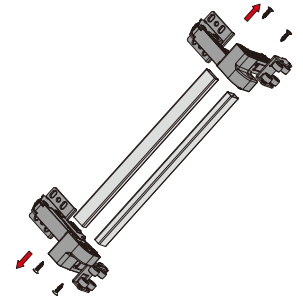
8. Connecting rod component installation

8.1 Calculate connecting rod component length



Cut connecting rod rail

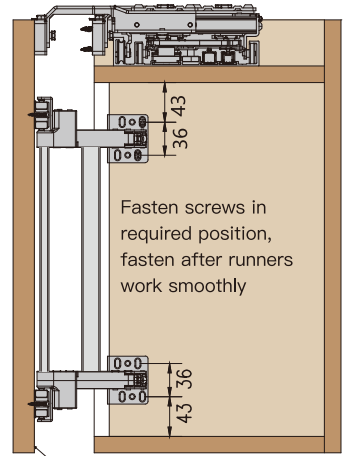
8.2 Separate connecting rod component



Re-assemble

Hanging cabinet installation

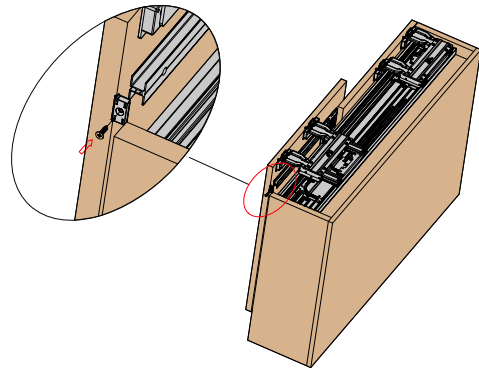
8.3 Open the door, put runners into door panel side guide rail, fix connecting rod



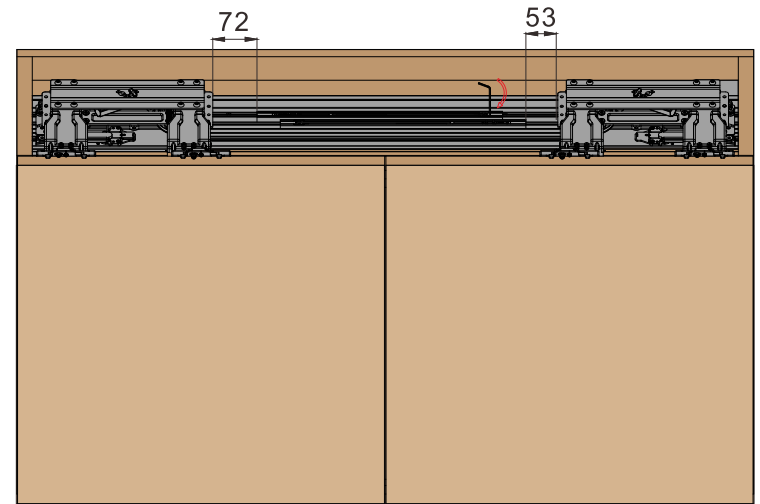
Stick rubber mat on door to prevent door hitting the floor

Rubber mat

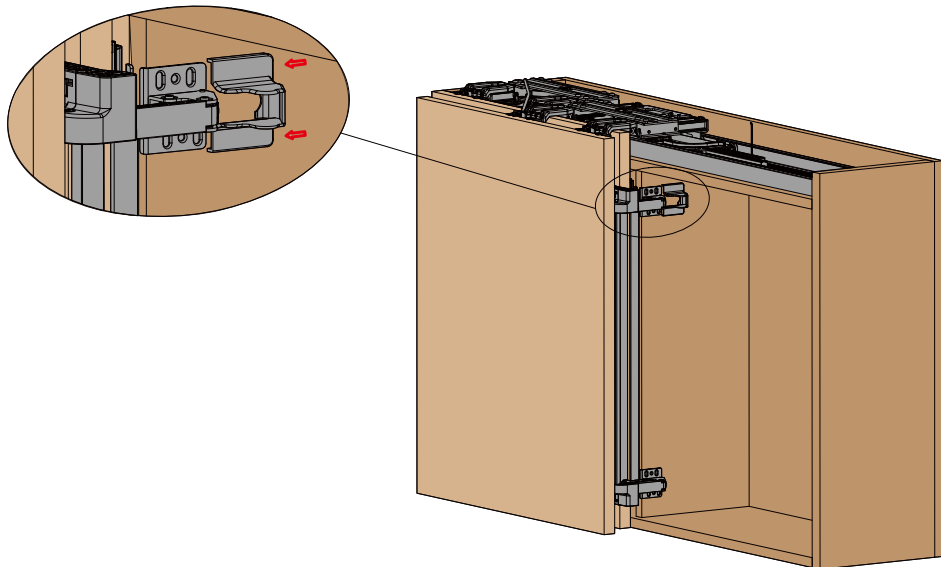
8.4 Fix plastic cap

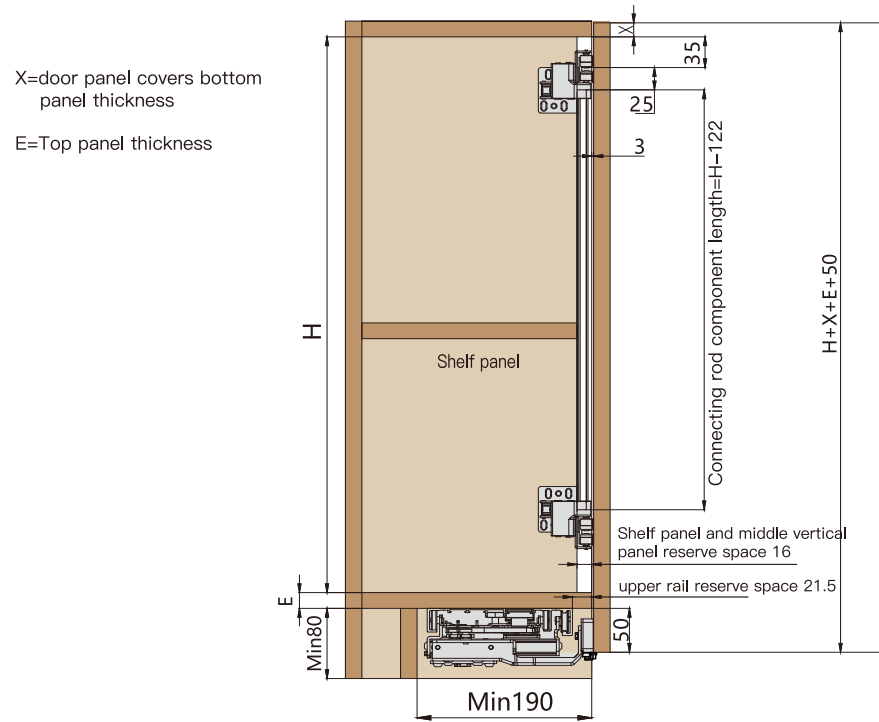


9. Fasten buffer

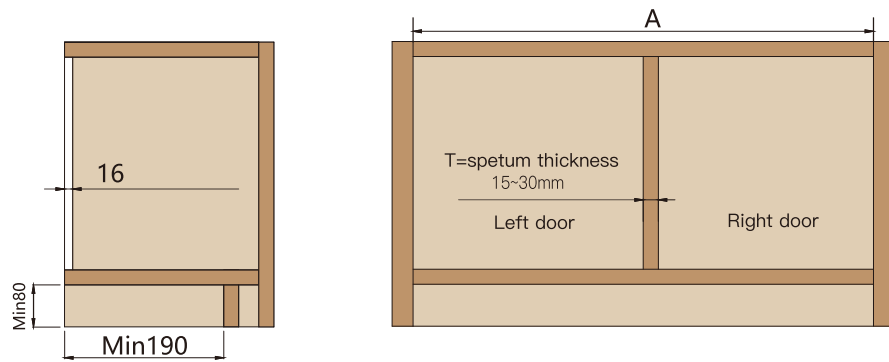


8.5 Install the connecting rod trim cover



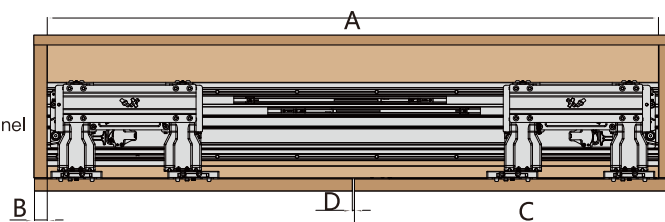


1. Cabinet requirements



Door size

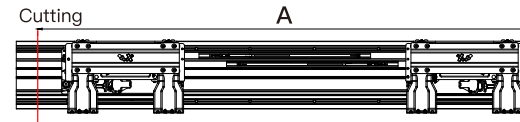
- A=Cabinet inner width
- D=Door gap(3-5mm)
- B=door panel covers side panel width(-3~25mm)
- C=Door width=(A+2B-D)/2



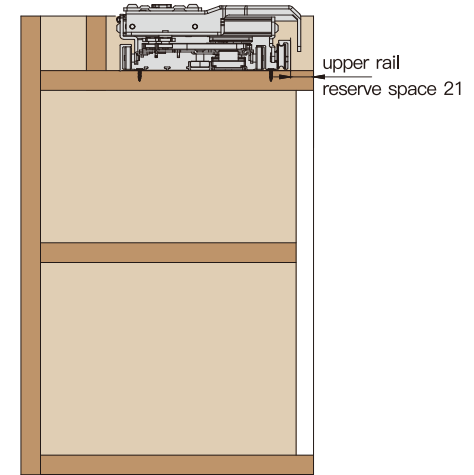
2.1 Rail cutting



Loose the alley key to move to right side

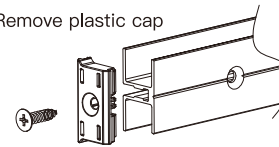


2.2 Upper rail installation

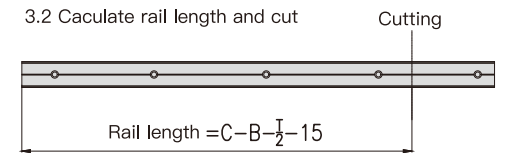


3. Accessories installation

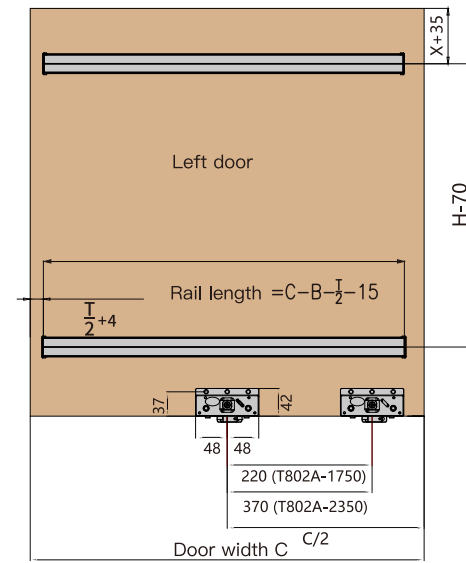
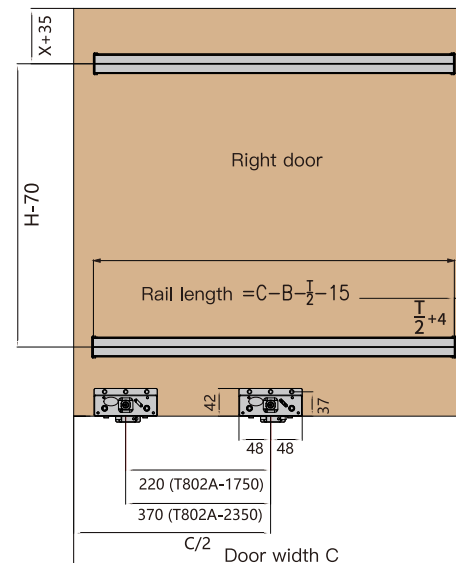
3.1 Remove plastic cap



3.2 Caculate rail length and cut



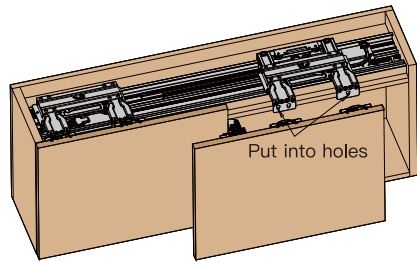
3.3 Hanging plate and rail installation



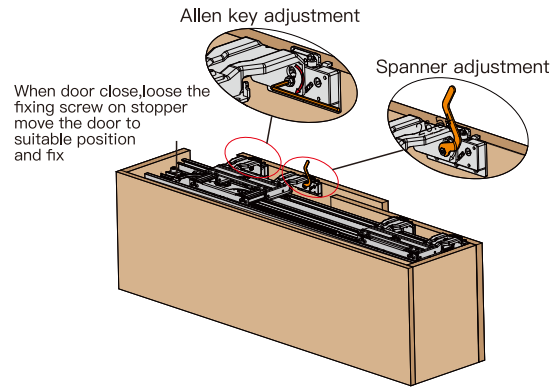
Floor cabinet installation

4. Door Installation

4.1 Open right runner accessories, hanging door into round holes

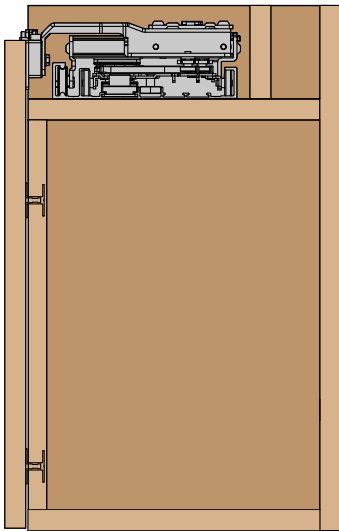


4.2 Use allen key or spanner to fix the screw but not fully tighten, should be movable

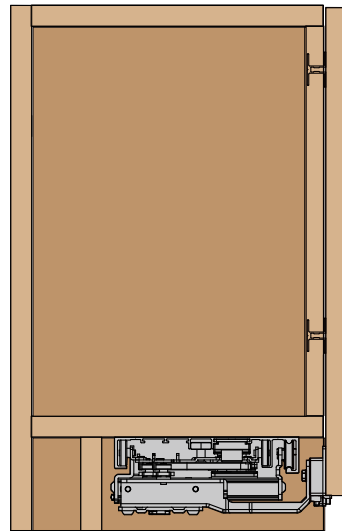


Same way for left door

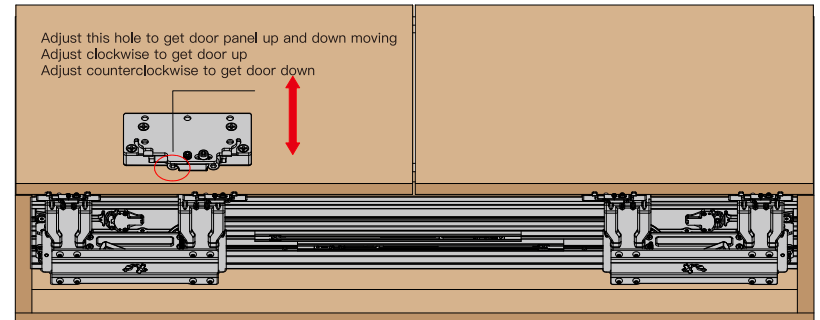
5. Overturn the cabinet after finish door installation



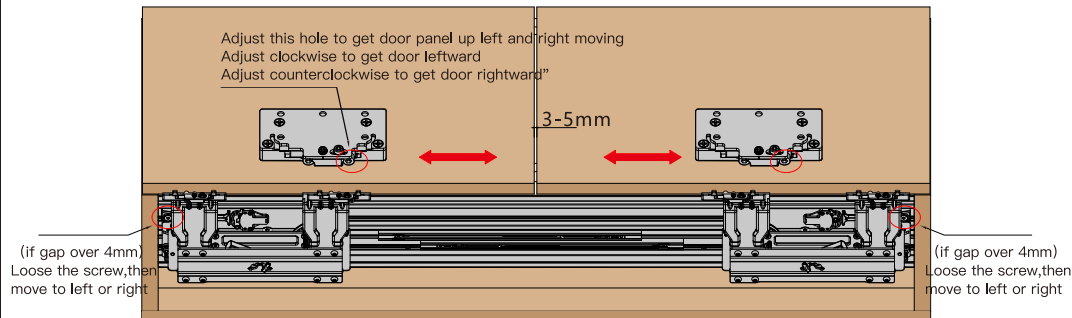
Turn over



6. Adjustment

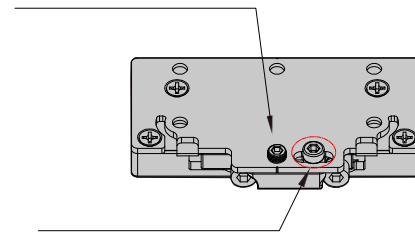


7. Adjust the gap between two doors

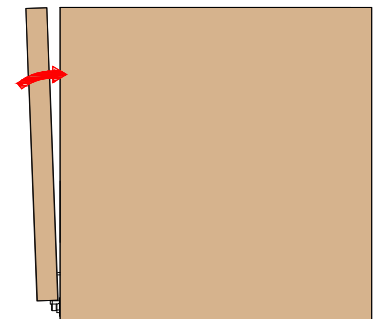


8. Adjust door closing angle

Adjust this hole to close the door in place
Adjust clockwise to make the door gap smaller



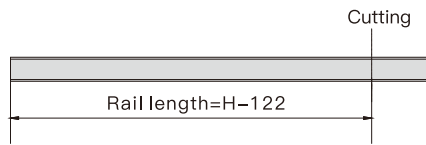
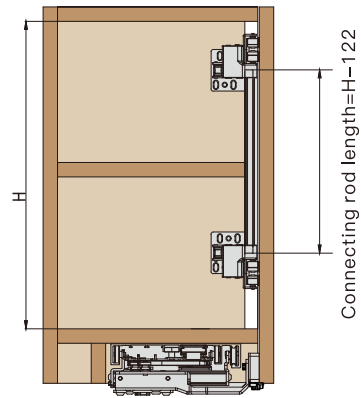
Tighten this screw after adjustment



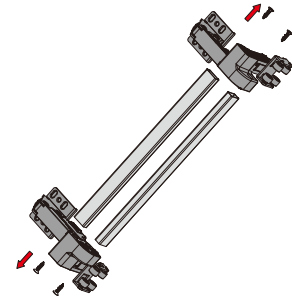
fix the adjustment screw in step 4 after adjustment

9. Connecting rod component installation

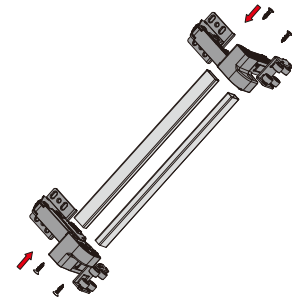
9.1 Calculate connecting rod length



Cut connecting rod rail



Separate connecting rod component

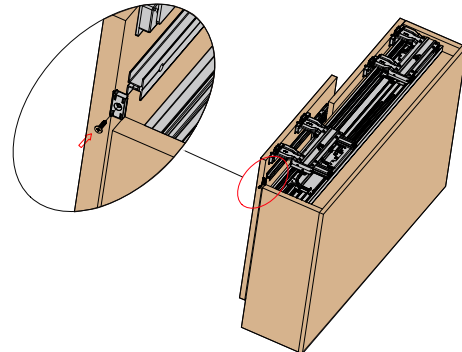
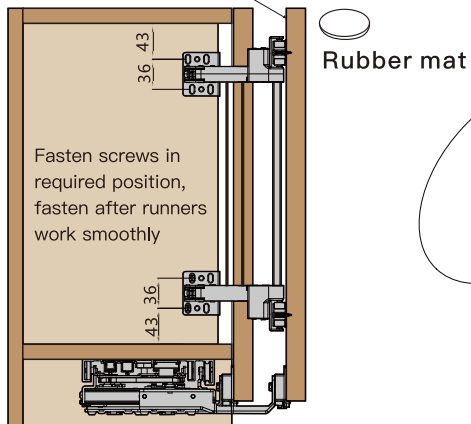


Re-assemble

9.3 Open the door, put runners into door panel side guide rail, fasten connecting rod

9.4 Fix plastic cap

Stick rubber mat on door to prevent door hitting the floor



10. Fix the damper

